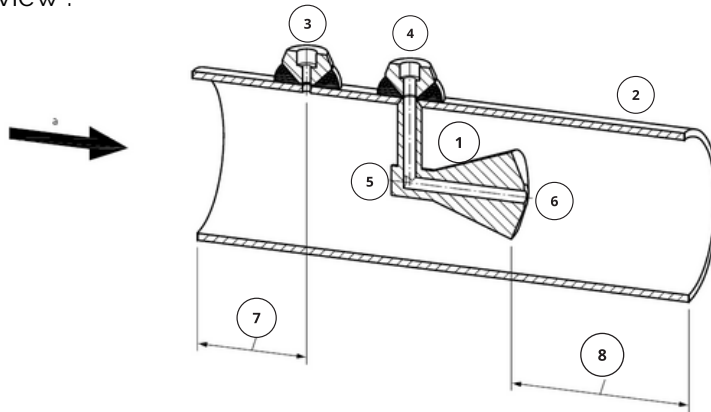


# STRAIGHT LENGTHS

■ Sectional view :



- (1) Cone meter    (2) Pipe    (3) Upstream pressure tap    (4) Downstream pressure tap    (5) Cone nose  
 (6) Back face of the cone    (7) Upstream straight length    (8) Downstream straight lengths

	Upstream				Downstream
	Single 90° bend	Two 90° bends in perpendicular planes	Concentric expander from 0,75D to 1D	Gate valve partially closed	Fittings cited in previous columns
$0,45 \leq \beta \leq 0,6$	3D	3D	3D	10D	2D
$0,6 \leq \beta \leq 0,75$	6D	6D	3D	10D	2D

Upstream straight lengths are measured from the plane passing through the axis of the upstream pressure tap of the cone as illustrated in the figure above in (7).

Downstream straight lengths are measured from the plane of the beta edge of the cone meter as illustrated in the figure above in (8).

A thermowell can be mounted downstream of the cone at a distance between 5D and 15D from the beta edge of the cone as illustrated in the figure above in (8).