

CONDENSATION POT

KEY FEATURES

- Calculation of the condensation pot according to ASME B31.3 construction code and EN 13480 standard
- Volume of 0,5 to 5 liters, other volumes available on request ⁽¹⁾
- Design pressure and temperature : to be specified along with the request
- In compliance with the PED 2014/68/UE pressure equipment directive
- Materials : standard stainless steel 316L/carbon steel, other materials available on request ⁽¹⁾

(1) see page 4 standard and additional values.
Pots in stock : volume 1.0 liter, SS316L and carbon steel.

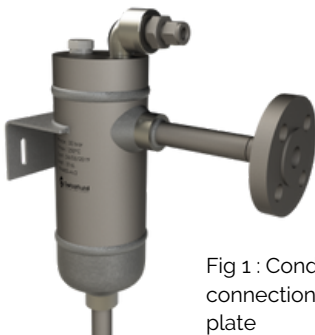


Fig 1 : Condensation pot with connection taps and mounting plate



Fig 2 : Condensation pot to be welded



BENEFITS



- Suitable for steam applications
- Helps protect the differential pressure transmitter by cooling the fluid upstream of the transmitter
 - Improves measurement accuracy
 - Standard models in stock
- Use as a condensation pot or separation pot

OPERATING PRINCIPLE

- Condensation pots are used to thermally protect the cells of the differential pressure transmitter : they allow condensing the fluid in the impulse lines upstream of the transmitter.
- Installed at the same level on the upstream and downstream pressure taps, they allow precise measurement by maintaining a constant condensate height in the impulse lines above the differential pressure transmitter.

MOUNTING

Installation on a horizontal line

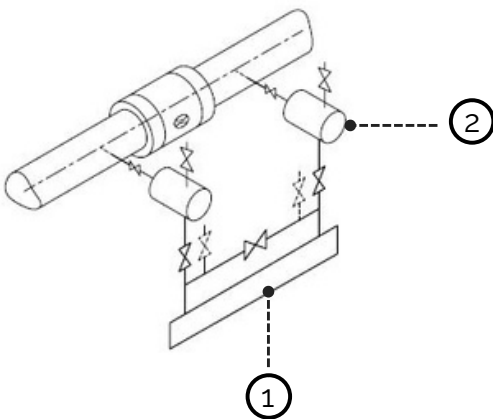


Fig 3 : Mounting of the transmitter with condensation pots on a horizontal pipe

Installation on a vertical line

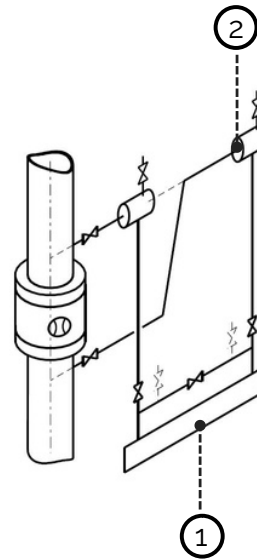
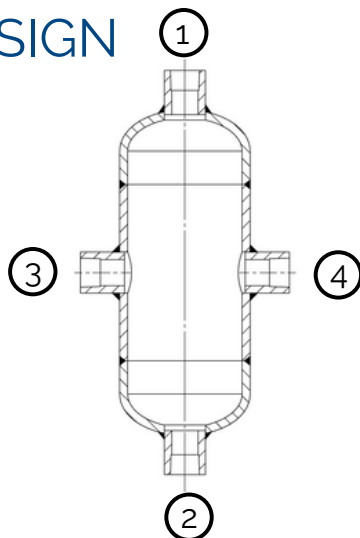


Fig 4 : Mounting of the transmitter with condensation pots on a vertical pipe

- ① Differential pressure transmitter
- ② Condensation pots

- Condensation pots should be mounted at the same level to eliminate error that could be caused by uneven fluid height in the pressure taps.

DESIGN



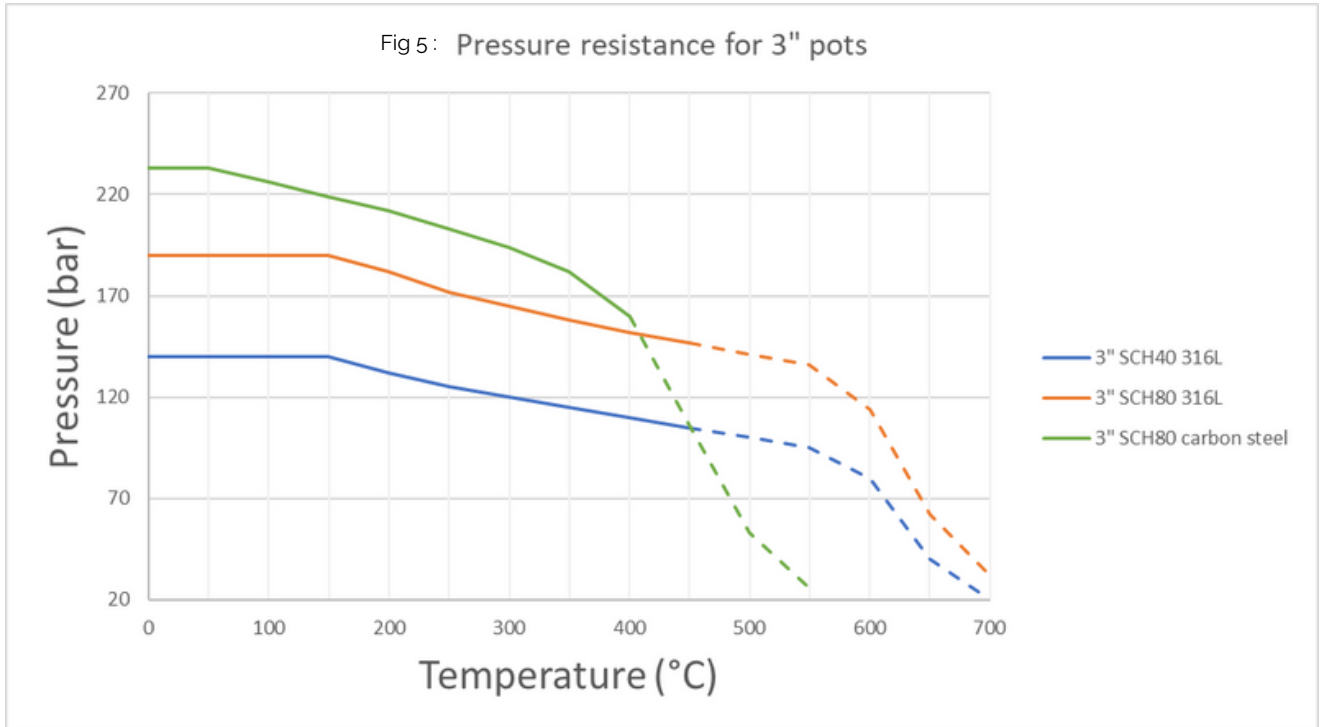
Connection taps n°1, 2, 3 and 4 : positioning and type of connections to be defined according to customer needs.

See page 4 for different types of connections.

Here, connections are represented in 1/2"NPT-F.

PRESSURE RESISTANCE

- This graph represents the pressure resistance for pots with a diameter of 3" in 316L stainless steel and carbon steel.



- The characteristics of this graph for 3" pots are exploitable for SS316L and carbon steel materials up to temperatures of 450°C.
- For different DN's and/or materials, the condensation pot schedule will be proposed according to the applicable design temperature and pressure.

ACCESSORIES

For flow measurement, in addition to condensation pots, we offer a full range of accessories for assembly with the selected primary elements.

■ Transmitter



Differential pressure transmitter, multivariable transmitter

■ Manifold



2-way, 3-way; 5-way manifold with or without direct mounting

■ Fittings



■ Valves



FURTHER INFORMATION

All the information on the assembly of the condensation pots can be found in the "User guide - installation and maintenance" manual.



The condensation pot can also be used to protect the transmitter in case of a flow measurement of a corrosive / aggressive fluid. In this case, we call it a separation pot

ITEM CODES

- Condensation pots : APOT-DN-Schedule-Volume-Connection type (each connection)-Material

APOT	DN	Schedule	Volume ⁽¹⁾	Connection type ⁽²⁾	Material
ASME nominal diameter	1"	40 (STD)	0.5 l	A : 1/4" NPT-F	SS316
	2"	80 (XS)	1.0 l	B : 1/2" NPT-F	16Mo3-F11/P11
	3"	160	1.5 l	C : 1" NPT-F	SS304
	4"	XXS	2.0 l	D : 1/4" BSPT	AC (carbon steel)
	6"	other	3.0 l	E : 1/2" BSPT	6Mo
			5.0 l	F : 1/2" 600# RF	other
			other	G : 1/2" 600# RTJ H : other	

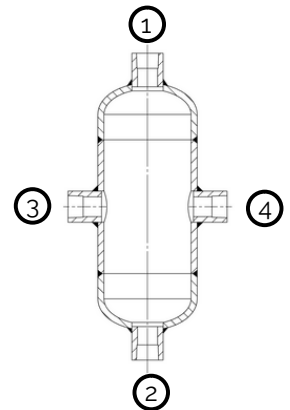
- **(1)** Condensation pots with a volume of less than 1 liter are subject to PED article 4.3, which does not require a specific test.
- **(2)** The types of connections correspond to tappings n° 1, 2, 3 and 4 of the plan below (or in page 2). The codes A, B, C, D, E, F, G or H will be written in the item code one after the other starting with tapping n°1 up to n°4.

■ Example condensation pots codes :

- APOT-3-80-1.0-BBBB-SS316
- APOT-2-40-1.0-BFBB-AC

Condensation pots in stock :

- APOT-3-40-1.0-BBBB-SS316
- APOT-3-40-1.0-BBBB-AC



Chemin Les Augas – RD817
64170 LACQ
FRANCE



delta64@deltafluid.fr



+33 (0)5 59 30 85 20



www.deltafluid.fr



DELTAFLUID